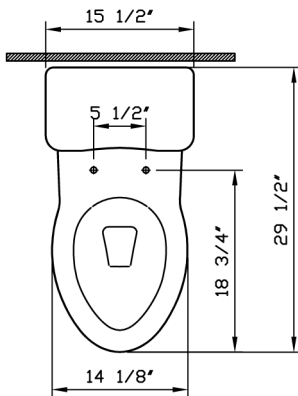


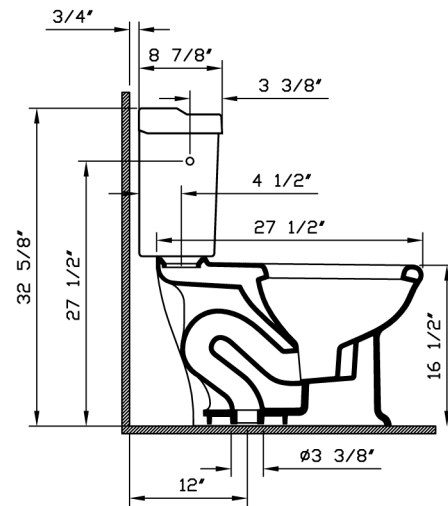


<b>Description</b>	: Aria Two-pieces HET Toilet with V <sup>3</sup> Flushing Technology, Extended Height Elongated Bowl, Concealed trapway
<b>Model Number</b>	: 4415BXXX-0075
<b>Compatible item</b>	: 4416BXXX-5310 Tank complete with fittings and chrome plated metal trim lever 4416BXXX-5311 Tank complete with fittings and chrome plated metal trim lever (styrofoam lined)
	: 36-XXX-002 Toilet Seat (elongated) 44-XXX-009 Soft Closing Toilet Seat (elongated)
<b>Water Consumption</b>	: 1.28 Gpf / 4.8 Lpf
<b>Water Surface</b>	: 7 1/4" x 5 1/8"
<b>Water Depth From Rim</b>	: 7 1/2"
<b>Rough-In</b>	: 12"
<b>Minimum Water Pressure</b>	: 20 psi.
<b>Trap Diameter</b>	: Fully glazed 2" ball pass trapway with 2" diameter
<b>Trap Seal Depth</b>	: 2 1/8"
<b>Shipping Weight</b>	: 4415 : 84 lbs. 4416 : 41 lbs.
<b>Shipping Dimensions</b>	: 4415 : 15 3/4"W x 18 1/2"L x 23 3/8"H 4416 : 9 1/2"W x 19 1/2"L x 18 1/2"H
<b>Installation Guide</b>	: VitrA Guide # 310129
<b>Included Components</b>	: Tank fittings, Spring # 311149
<b>Material</b>	: Vitreous china
<b>Colors</b>	: 003 White, 017 Bone, 068 Biscuit (Basic colors) "XXX" indicates the color.
<b>Standards</b>	: ASME A 112.19.2, CSA B45, ADA ICC/ANSI A117-1 LADWP/SPS EPA Water Sense
<b>Warranty</b>	: 10 year limited warranty

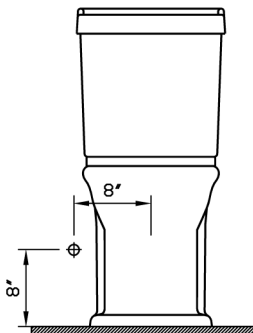
1



2



3



**Notes:**

- DIMENSIONS SHOWN FOR THE LOCATION OF THE SUPPLY IS SUGGESTED.
- INSTALLATION INSTRUCTIONS SUPPLIED WITH THE TOILET.

**IMPORTANT:** Dimensions of fixtures are nominal and may vary within the range of tolerances established by ASME Standard A 112.19.2, CSA Standard B45. These measurements may be subject to change. No responsibility is assumed for the use of superseded or voided pages.