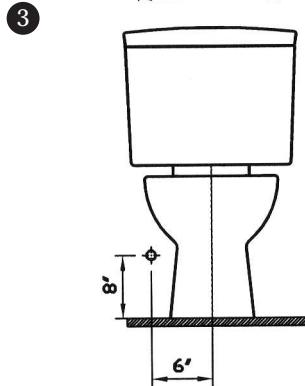
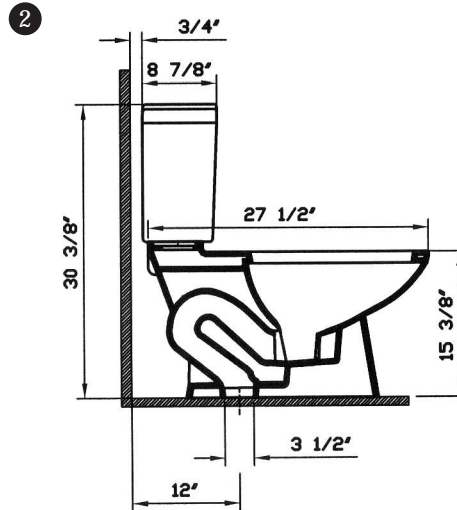
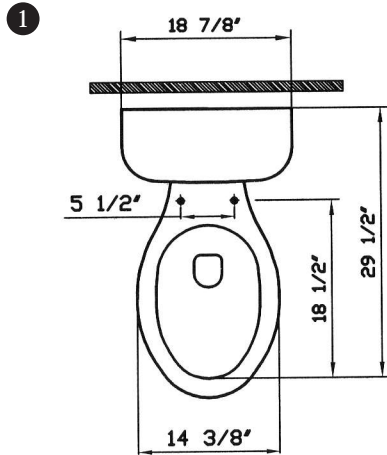


# Corina



V<sup>3</sup>

Description	: Corina Two-piece with V3 flushing technology Elongated Bowl
Model Number	: 5069-XXX-0075
Compatible Items	: 5070-XXX-5182 Tank with white plastic trim lever on left hand side (fluidmaster ballcock) 5070-XXX-5183 Tank with chrome plated trim lever on left hand side (fluidmaster ballcock) 5070-XXX-5184 Tank with copper plated trim lever on left hand side (fluidmaster ballcock) 36-003-002 Toilet Seat (elongated)
Water Consumption	: 1.6 GPF
Water Surface	: 9" x 7 7/8"
Water Depth From Rim	: 6 1/2"
Rough-In	: 12"
Minimum Water Pressure	: 20 psi.
Trap Diameter	: Fully glazed 2" ball pass trapway with 2 1/8" diameter
Trap Seal Depth	: 2 3/8"
Shipping Weight	: 5069 : 50 lbs. 5070 : 38 lbs.
Shipping Dimensions	: 5069 : 15 1/8" W x 28 3/8" L x 16 7/8" H 5070 : 10 1/4" W x 20 1/8" L x 15" H
Installation Guide	: VitrA Guide # 312851
Included Components	: Tank fittings, bolt caps (white 310359 / bone-biscuit 310306 / black 310360)
Material	: Vitreous china
Colors	: 003 White 017 Bone, 068 Biscuit (Basic Colors) 001 Edelweiss, 070 Black (Special Colors) "XXX" indicates the color
Standards	: ASME A 112.19.2, CSA B45, LADWP/SPS (City of Los Angeles)
Warranty	: 10 year limited warranty



Notes:  
 • DIMENSIONS SHOWN FOR THE LOCATION OF THE SUPPLY IS SUGGESTED.  
 • INSTALLATION INSTRUCTIONS SUPPLIED WITH THE TOILET.  
 IMPORTANT: Dimensions of fixtures are nominal and may vary within the range of tolerances established by ASME Standard A 112.19.2, CSA Standard B45 and LADWP/SPS (City of Los Angeles) Standard. These measurements may be subject to change. No responsibility is assumed for the use of superseded or voided pages.

April, 2005