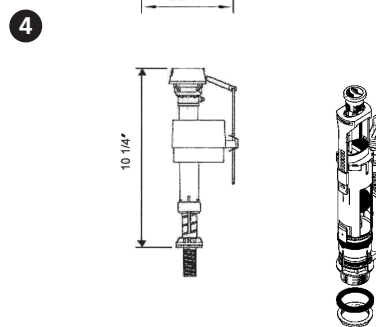
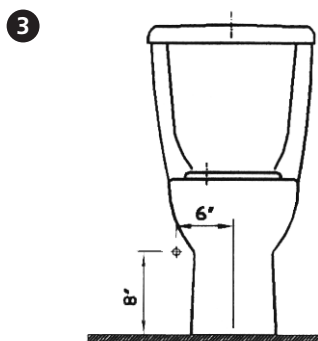
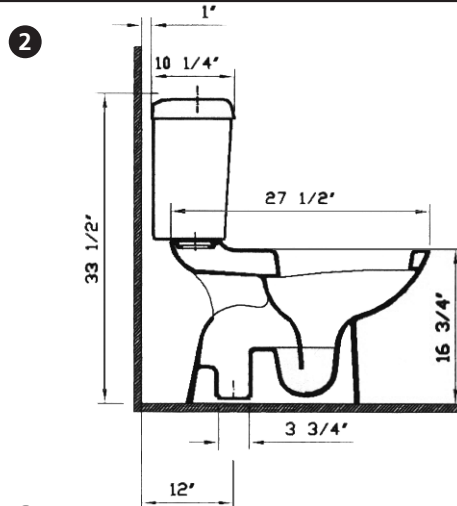
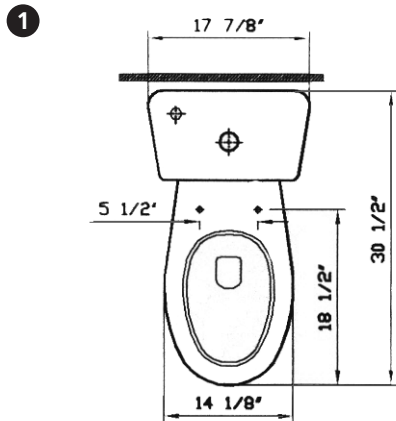




Description	: EverGreen Dual Flush Elongated Bowl - Extended Height ADA Compliant
Model Number	: 5074-XXX-0075
Compatible item	: 5055-XXX-5219 36-XXX-002 Toilet seat (elongated) 44-XXX-009 Toilet seat (elongated) (soft close hinge)
Water Consumption	: 1.6 GPF / 0.8 GPF
Water Surface	: 4 3/8" x 5 1/8"
Water Depth From Rim	: 11 1/4"
Rough-In	: 12"
Minimum Water Pressure	: 20 psi.
Trap Diameter	: 2" ball pass with 2 1/8" trap diameter
Trap Seal Depth	: 2 3/8"
Shipping Weight	: 54 lbs.
Shipping Dimensions	: 15 1/8"W x 28 3/4"L x 18 7/8"H
Installation Guide	: Vitra Guide # 312858
Included Components	: Tank fittings, bolt caps (white 310359/bone-biscuit 310306) Floor flange adapter
Material	: Vitreous china
Colors	: 003 White 017 Bone, 068 Biscuit (Basic Colors) 001 Edelweiss, 070 Black (Special Colors) "XXX" indicates the color
Standards	: Meets the American Disabilities Act Guidelines and ICC/ANSI A117-1 requirements when installed so top of seat is 17" from the finished floor. Recommended seat for ADA requirements: Vitra 36-003-002 or 44-XXX-009 ASME A 112.19.2, CSA B45, ADA ICC/ANSI A 117-1, LADWP/SPS (City of Los Angeles) CMR 248 (State of Massachusetts)
Warranty	: 10 year limited warranty



Notes:

- DIMENSIONS SHOWN FOR THE LOCATION OF THE SUPPLY IS SUGGESTED.
- INSTALLATION INSTRUCTIONS SUPPLIED WITH THE TOILET.

IMPORTANT: Dimensions of fixtures are nominal and may vary within the range of tolerances established by ASME Standard A 112.19.2, CSA Standard B45. These measurements may be subject to change. No responsibility is assumed for the use of superseded or voided pages.

April, 2007