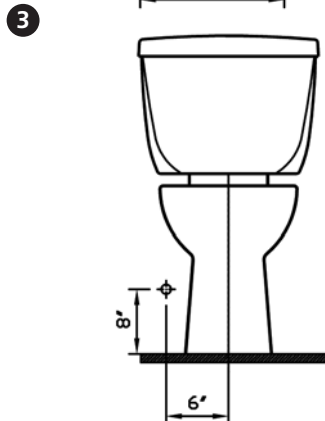
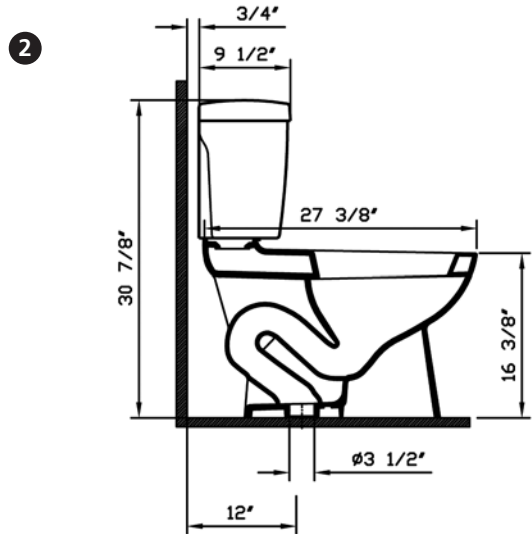
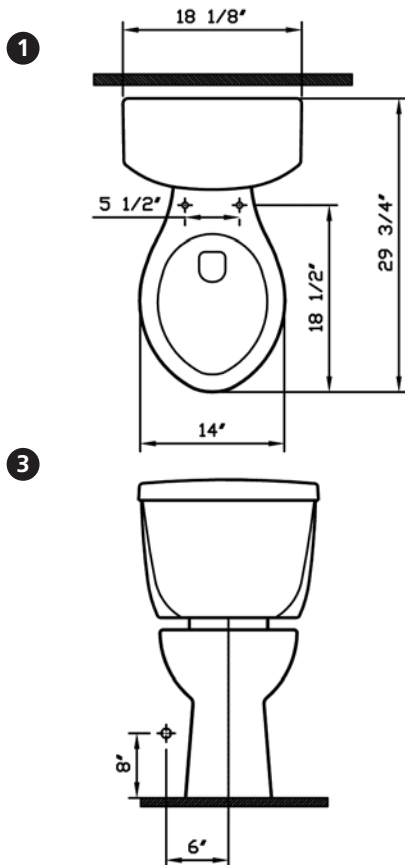




<b>Description</b>	: EverGreen two-piece Elongated Bowl - ADA Compliant
<b>Model Numbers</b>	: 5195BXXX-0075
<b>Compatible Items</b>	: 5402BXXX-5332 (polished chrome plated metal lever on left hand side, fluidmaster fill valve) 5402BXXX-5335 (polished chrome plated metal lever on right hand side, fluidmaster fill valve) 5402BXXX-5249 (white lever on left hand side, fluidmaster fill valve)
<b>Water Consumption</b>	: 1.2 GPF /4.5 LPF
<b>Water Surface</b>	: 6 3/4" x 7 7/8"
<b>Water Depth From Rim</b>	: 7 7/8"
<b>Rough-In</b>	: 12"
<b>Minimum Water Pressure</b>	: 20 psi.
<b>Trap Diameter</b>	: 2" ball pass with 2 1/8" trap diameter
<b>Trap Seal Depth</b>	: 2 3/8"
<b>Shipping Weight</b>	: 51 lbs.
<b>Shipping Dimensions</b>	: 5195: 15 1/8"W x 29 3/8"L x 17 2/8"H 5402: 9 7/8 "W x 18 3/4"L x 16" H
<b>Installation Guide</b>	: Vitra Guide 310790
<b>Included Components</b>	: Tank fittings, bolt caps (white 310359 / bone biscuit 310306)
<b>Material</b>	: Vitreous china
<b>Colors</b>	: 003 White 017 Bone, 068 Biscuit (Basic Colors) "XXX" indicates the color
<b>Standards</b>	: Meets the American Disabilities Act Guidelines and ICC/ANSI A117-1 requirements when installed so top of seat is 17" from the finished floor. Recommended seat for ADA requirements: Vitra 36-XXX-002 ASME A 112.19.2, CSA B45, CMR 248 (State of Massachusetts), ICC/ANSI A.117-1, LADWP/SPS (City of Los Angeles)
<b>Warranty</b>	: 10 year limited warranty



**Notes:**  
 • DIMENSIONS SHOWN FOR THE LOCATION OF THE SUPPLY IS SUGGESTED.  
 • INSTALLATION INSTRUCTIONS SUPPLIED WITH THE TOILET.

**IMPORTANT:** Dimensions of fixtures are nominal and may vary within the range of tolerances established by ASME Standard A 112.19.2 and CSA Standard B45., ICC/ANSI A.117-1. These measurements may be subject to change. No responsibility is assumed for the use of superseded or voided pages.

January, 2009