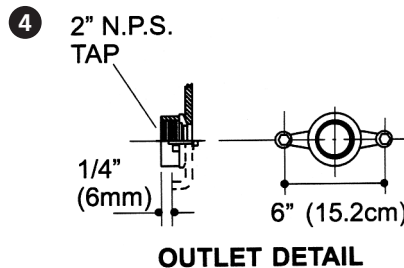
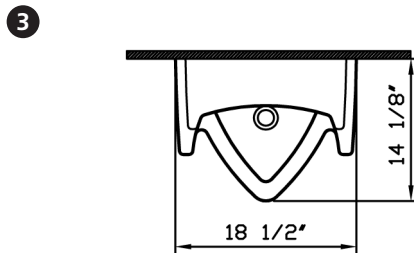
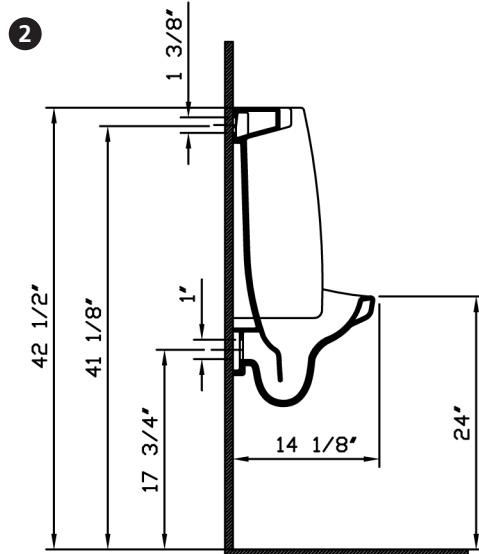
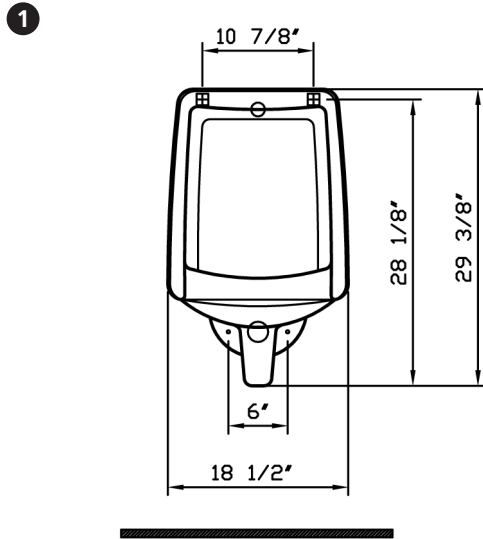




| | |
|-------------------------------|--|
| Description | : 0.25 gpf High Efficiency Wash-out Urinal ADA Compliant (rear spud) |
| Model Number | : 5231-XXX-0199 |
| Compatible Items | : Sloan 1/4 gpf Flush Valve-Royal 195-0.25 |
| Size | : 29 3/8" Height x 18 1/2" Width x 14 1/8" Rim |
| Water Consumption | : 0.25 GPF |
| Flush System | : Wash-out |
| Spud Diameter | : 3/4" |
| Minimum Water Pressure | : 25 psi |
| Included Components | : Rear inlet spud (313210) Urinal mounting hanger (313015) Outlet spud (424529) |
| Shipping Weight | : 60.63 lbs.. |
| Shipping Dimensions | : 35 7/8" W x 18 3/4" L x 17 7/8" H |
| Installation Guide | : VitrA Guide # 312853 |
| Material | : Vitreous china |
| Colors | : 003 White 017 Bone, 068 Biscuit (Basic Colors) "XXX" indicates the color |
| Standards | : Urinal complies with ADA requirement when rim is mounted no higher than 17" from finished floor. ASME A 112.19.2, CSA B45, ICC/ANSI A 117.1 |
| Warranty | : 10 year limited warranty |



Notes:

- DIMENSIONS SHOWN FOR THE LOCATION OF THE SUPPLY IS SUGGESTED.
- INSTALLATION INSTRUCTIONS SUPPLIED WITH THE URINAL.
- FITTINGS ARE NOT INCLUDED
- PROVIDE SUITABLE REINFORCEMENT FOR ALL WALL SUPPORTS.
- MEETS THE AMERICAN DISABILITIES ACT GUIDELINES AND ANSI A 117.1 REQUIREMENTS WHERE INSTALLED SO TOP OF RIM IS 17" MAXIMUM FROM THE FINISHED FLOOR.

IMPORTANT: Dimensions of fixtures are nominal and may vary within the range of tolerances established by ASME Standard A 112.19.2, CSA Standard B45 and ICC/ANSI Standard A 117.1. These measurements may be subject to change. No responsibility is assumed for the use of superseded or voided pages.