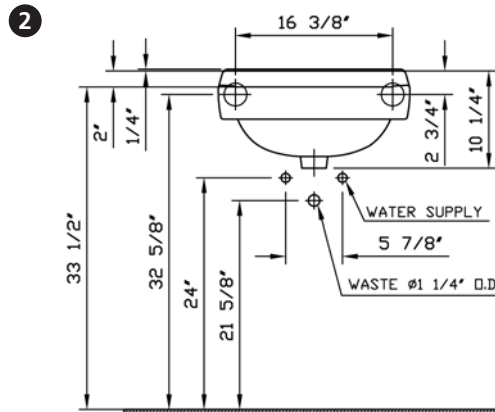
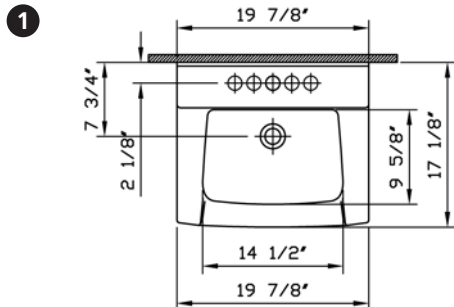


Commercial Line

VitrA



Description	: Wall Mount Lavatory, ADA compliant
Model Numbers	: 5406-XXX-0001 Single-hole faucet drilling 5406-XXX-0030 4" faucet drilling 5406-XXX-0033 8" faucet drilling
Size	: 19 7/8" x 17 1/8"
Height	: 33 1/2"
Depth	: 8 1/4"
Waste	: Ø1 1/4" O.D.
Shipping Weight	: 31 lbs.
Shipping Dimensions	: 22 2/8"W x 13 6/8"L x 20"H
Installation Guide	: VitrA Guide # 312852
Included Components:	Wall hung lavatory mounting bracket (312568)
Material	: Vitreous china
Colors	: 003 White 017 Bone, 068 Biscuit (Basic Colors) "XXX" indicates the color
Warranty	: 10 year limited warranty



Notes:

- COMPATIBLE WITH ARM CARRIER OF ZURN MODEL Z1254.
 - DIMENSIONS SHOWN FOR THE LOCATION OF THE SUPPLY IS SUGGESTED.
 - INSTALLATION INSTRUCTIONS SUPPLIED WITH THE LAVATORY.
 - FITTINGS ARE NOT INCLUDED
 - PROVIDE SUITABLE REINFORCEMENT FOR ALL WALL SUPPORTS.
 - CONCEALED ARM CARRIER NOT SUPPLIED BY VITRA. SUPPLIED BRACKET NOT USED WITH CONCEALED ARM CARRIER.
- IMPORTANT:** Dimensions of fixtures are nominal and may vary within the range of tolerances established by ASME Standard A 112.19.2, CSA Standard B45 and ICC/ANSI Standard A 117.1. These measurements may be subject to change. No responsibility is assumed for the use of superseded or voided pages.

September, 2008